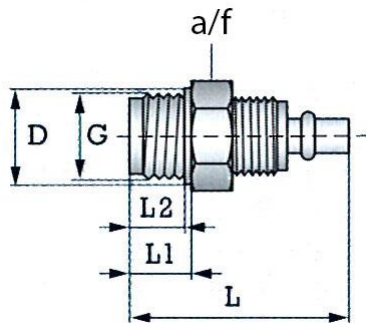


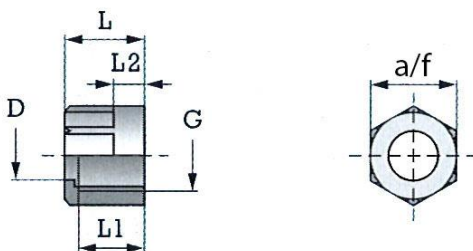
Operating pressure 0 to 10 bar
Temperature range -10 °C to +60 °C



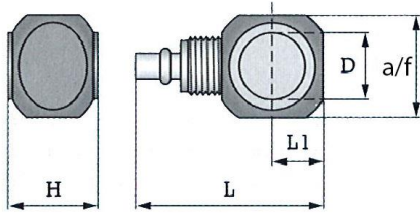
11.653

Male connector, parallel male thread

Art. No.	Type No.	Thread	For hose mm	NW mm	a/f mm	D mm	L mm	L ₁ mm	L ₂ mm
110721	11.651	G 1/8	6/4	3.0	13	11.0	28.0	7.0	6.0
110722	11.652	G 1/8	8/6	4.5	13	11.0	29.5	7.0	6.0
110723	11.653	G 1/4	6/4	3.0	17	14.5	31.0	9.0	8.0
110724	11.654	G 1/4	8/6	4.5	17	14.5	32.0	9.0	8.0
110725	11.655	G 1/4	12/9	7.0	19	16.0	37.5	9.0	8.0
110726	11.656	G 1/4	10/8	6.5	17	14.5	34.0	9.0	8.0
110727	11.657	G 3/8	8/6	4.5	19	18.5	34.0	11.0	10.0
110728	11.658	G 3/8	10/8	6.5	19	18.5	35.5	11.0	10.0
110729	11.659	G 3/8	12/9	7.0	19	18.5	37.5	11.0	10.0



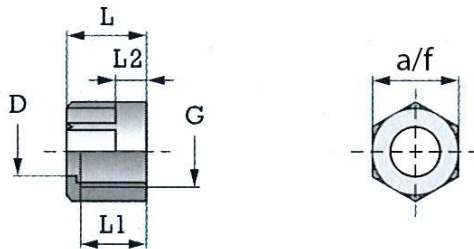
Art. No.	Type No.	For hose mm	Thread	a/f mm	D mm	L mm	L ₁ mm	L ₂ mm
110721, 110723	11.651, 11.653	6/4	M10x1	12	6.2	13.0	10.5	5.0
110722, 110724, 110727	11.652, 11.654, 11.657	8/6	M12x1	14	8.2	13.0	10.5	5.0
110726, 110728	11.656, 11.658	10/8	M14x1	17	10.2	13.0	11.0	6.0
110725, 110729	11.655, 11.659	12/9	M16x1	19	12.4	14.0	11.5	6.0



13.665

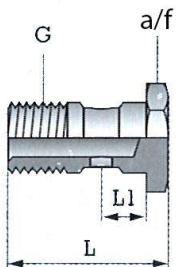
Union elbow with aluminium banjo bolt, swivel type

Art. No.	Type No.	Thread	For hose mm	NW mm	a/f mm	D mm	L mm	L ₁ mm	H mm
110730	13.660	G 1/8	6/4	3.0	16	10.0	31.0	8.0	16.5
110731	13.661	G 1/8	8/6	4.5	16	10.0	33.0	8.0	16.5

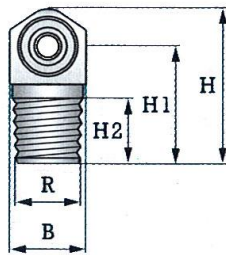
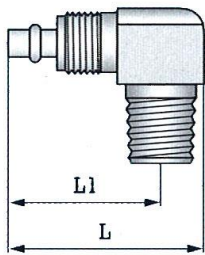


110732	13.665	G 1/4	6/4	3.0	20	13.0	35.0	10.0	16.5
110733	13.666	G 1/4	8/6	4.5	20	13.0	36.5	10.0	16.5

Art. No.	Type No.	For hose mm	Thread	a/f mm	D mm	L mm	L ₁ mm	L ₂ mm
110730, 110731	13.660, 13.661	6/4	M10x1	12	6.2	13.0	10.5	5.0
110732, 110733	13.665, 13.666	8/6	M12x1	14	8.2	13.0	10.5	5.0



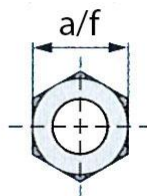
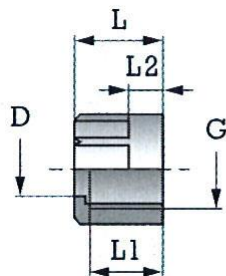
Art. No.	Type No.	Thread	L mm	L ₁ mm	L ₂ mm	a/f mm	Material
110730, 110731	13.660, 13.661	G 1/8	27.0	8.0	8.0	14	Anodised aluminium blue
110732, 110733	13.665, 13.666	G 1/4	29.0	10.0	8.0	17	Anodised aluminium blue



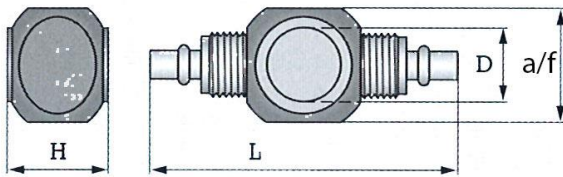
13.765

Union elbow, rigid, conical male thread acc. to ISO 7-1

Art. No.	Type No.	Thread	For hose mm	NW mm	B mm	L mm	L ₁ mm	H mm	H ₁ mm	H ₂ mm
110734	13.760	R 1/8	6/4	3	11.0	29.0	23.0	22.0	16.0	8.0
110735	13.761	R 1/8	8/6	5	14.0	29.0	23.0	24.0	17.0	8.0
110736	13.765	R 1/4	6/4	3	14.0	32.0	24.0	25.0	19.0	11.0
110737	13.766	R 1/4	8/6	5	14.0	33.0	25.0	27.0	20.0	11.0
110738	13.768	R 1/4	12/9	7	17.0	36.0	28.0	33.0	23.0	13.0
110739	13.774	R 3/8	12/9	7	17.0	36.0	28.0	33.0	23.0	13.0



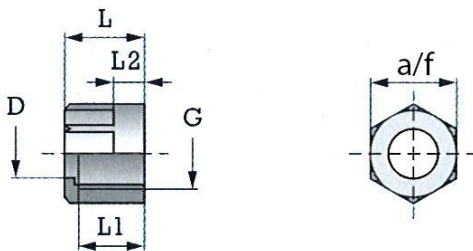
Art. No.	Type No.	For hose mm	Thread	a/f mm	D mm	L mm	L ₁ mm	L ₂ mm
110734, 110736	13.760, 13.765	6/4	M10x1	12	6.2	13.0	10.5	5.0
110735, 110737	13.761, 13.766	8/6	M12x1	14	8.2	13.0	10.5	5.0
110738, 110739	13.768, 13.774	12/9	M16x1	19	12.4	14.0	11.5	6.0



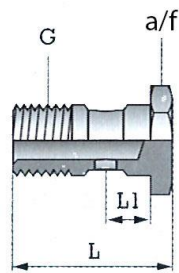
14.815

Branch tee with aluminium banjo bolt, swivel type

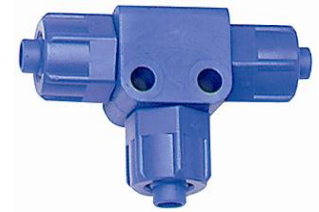
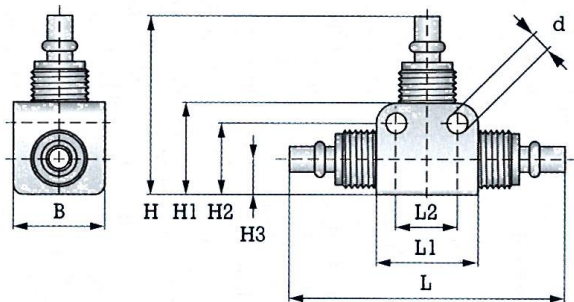
Art. No.	Type No.	Thread	For hose mm	NW mm	a/f mm	D mm	L mm	H mm
110740	14.811	G 1/8	6/4	3	16	10.0	47.0	16.5
110741	14.812	G 1/8	8/6	5	16	10.0	49.0	16.5
110742	14.815	G 1/4	6/4	3	20	13.0	51.0	16.5
110743	14.816	G 1/4	8/6	5	20	13.0	53.0	16.5



Art. No.	Type No.	For hose mm	Thread	a/f mm	D mm	L mm	L ₁ mm	L ₂ mm
110740, 110741	14.811, 14.815	6/4	M10x1	12	6.2	13.0	10.5	5.0
110742, 110743	14.812, 14.816	8/6	M12x1	14	8.2	13.0	10.5	5.0



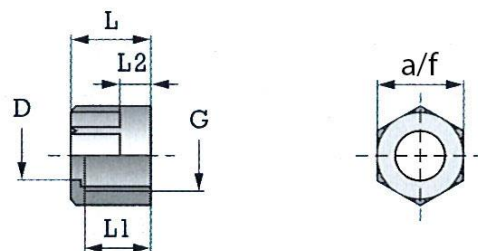
Art. No.	Type No.	Thread	L mm	L ₁ mm	L ₂ mm	a/f mm	Material
110740, 110741	14.811, 14.815	G 1/8	27.0	8.0	8.0	14	Anodised aluminium blue
110742, 110743	14.812, 14.816	G 1/4	29.0	10.0	8.0	17	Anodised aluminium blue

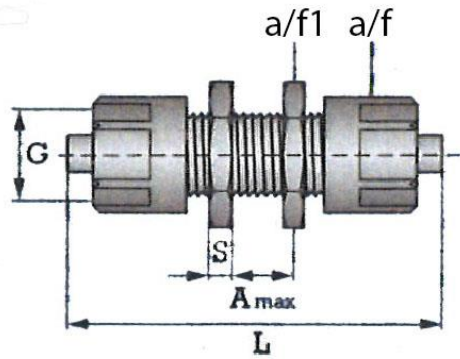


14.912

Union tee, rigid

Art. No.	Type No.	For hose mm	NW mm	L mm	L ₁ mm	L ₂ mm	B mm	d mm	H mm	H ₁ mm	H ₂ mm	H ₃ mm
110744	14.911	6/4	3	52.0	20.0	12.0	15.0	4.3	32.0	16.0	12.0	6.0
110745	14.912	8/6	5	52.0	20.0	12.0	18.0	4.3	34.0	18.0	14.0	8.0
110746	14.913	12/9	7	63.0	25.0	15.5	22.0	4.3	40.0	21.0	16.5	8.0





Art. No.	Type No.	For hose mm	Thread	a/f mm	D mm	L mm	L ₁ mm	L ₂ mm
110744	14.911	6/4	M 10x1	12	6.2	13.0	10.5	5.0
110745	14.912	8/6	M 12x1	14	8.2	13.0	10.5	5.0
110746	14.913	12/9	M 16x1	19	12.4	14.0	11.5	6.0

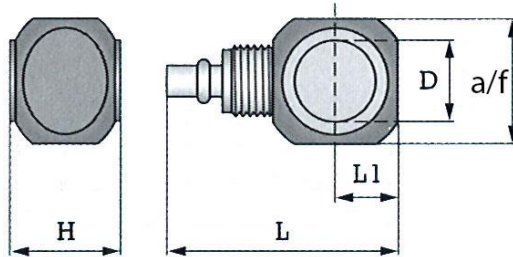


15.776

Hose connector

Art. No.	Type No.	For hose mm	Thread	NW mm	L	A _{max}	a/f	a/f ₁	S
110747	15.775	6/4	M10x1	3	50.5	10	12	13	3
110748	15.776	8/6	M12x1	7	51.3	10	14	17	3
110749	15.778	12/9	M16x1	7	59.8	10	19	19	4

15.886

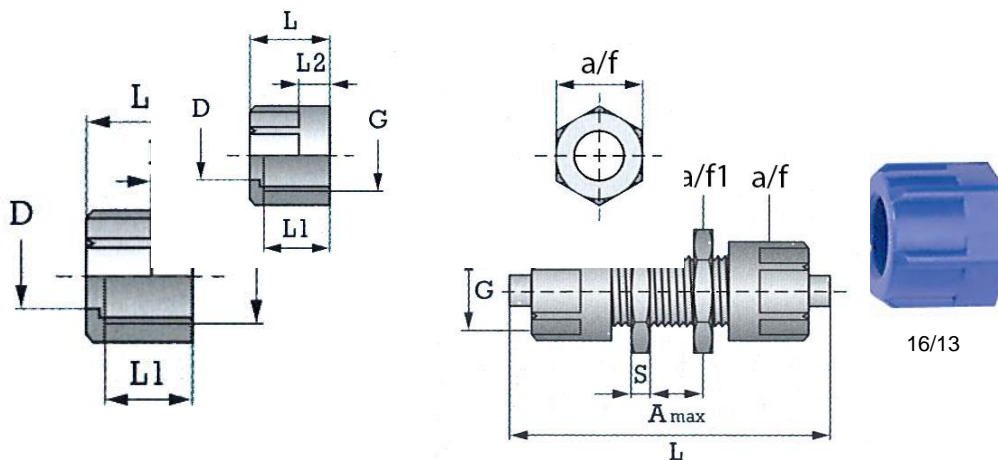
Bulkhead connector, complete with fixing nuts


Art. No.	Type No.	Thread	For hose mm	NW mm	L mm	A _{max} mm	a/f mm	a/f ₁ mm	S mm
110750	15.885	M10x1.0	6/4	3	50.0	10.0	12	13	3.0
110751	15.886	M12x1.0	8/6	4	51.0	10.0	14	17	3.0
110752	15.888	M16x1.0	12/9	7	60.0	10.0	19	19	4.0

Art. No.	Type No.	For hose mm	Thread	a/f mm	D mm	L mm	L ₁ mm	L ₂ mm
110750	15.885	6/4	M10x1.0	12	6.2	13.0	10.5	5.0
110751	15.886	8/6	M12x1.0	14	8.2	13.0	10.5	5.0
110752	15.888	12/9	M16x1.0	19	12.4	14.0	11.5	6.0

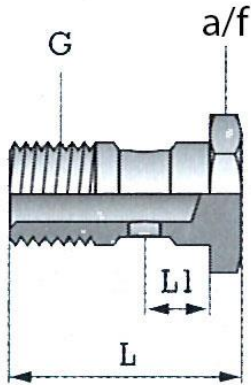
Securing nut for bulkhead connectors

Art. No.	Type No.	For hose mm	Thread	S mm
110750	15.885	6/4	M10x1.0	3.0
110751	15.886	8/6	M12x1.0	3.0
110752	15.888	12/9	M16x1.0	4.0



Clamping nut

Art. No.	Type No.	For hose	Thread	a/f mm	D mm	L mm	L ₁ mm	L ₂ mm
110753	16/12	6/4	M10x1.0	12	6.2	13.0	10.5	5.0
110754	16/13	8/6	M12x1.0	14	8.2	13.0	10.5	5.0
110755	16/14	12/9	M16x1.0	19	12.4	14.0	11.5	6.0
110756	16/15	10/8	M14x1.0	17	10.2	13.0	11.0	6.0



14/11

Aluminium banjo bolt

Art. No.	Type No.	Thread	L mm	L ₁ mm	L ₂ mm	a/f mm	Material
110757	14/11	G 1/8	27.0	8.0	8.0	14	Anodised aluminium blue
110758	14/12	G 1/4	29.0	10.0	8.0	17	Anodised aluminium blue



13/14

Single banjo

Art. No.	Type No.	Thread	For hose mm	NW mm	a/f mm	D mm	L mm	L ₁ mm	H mm
110759	13/11	G 1/8	6/4	3	16	10.0	31.0	8.0	16.5
110760	13/12	G 1/8	8/6	5	16	10.0	33.0	8.0	16.5
110761	13/14	G 1/4	6/4	3	20	13.0	35.0	10.0	16.5
110762	13/15	G 1/4	8/6	5	20	13.0	36.5	10.0	16.5